

INSTALLATION BEST PRACTICES

General

- Before installing your system, lay it out in an accessible area and test it. You'll want to know if there is a problem with your system before it is permanently installed.
- Power your Aurora system off before connecting or disconnecting components.

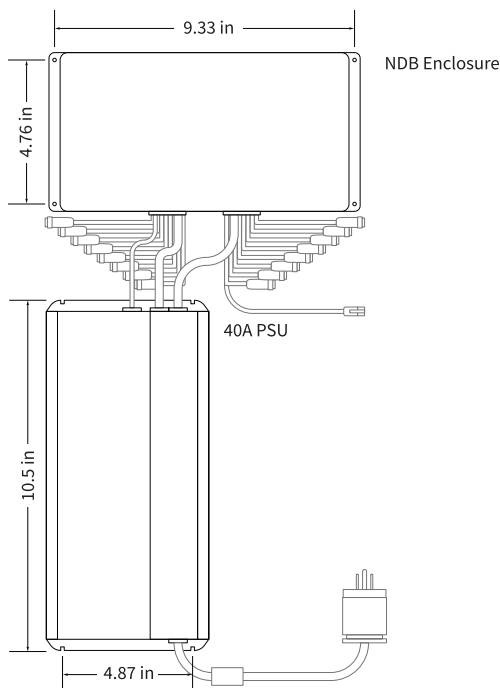
Configuration

- Aurora displays its patterns on a 2D grid that is made of your lights. Make sure your lights are arranged sequentially according to the port they are connected to. This will come in handy when Aurora is interpreting your layout (in-app grid mapping).
- When using a microphone as your audio source, Manual Gain is generally better than Auto-Gain. It provides a truer sound-to-light interaction. Auto-gain is better for lining in music.

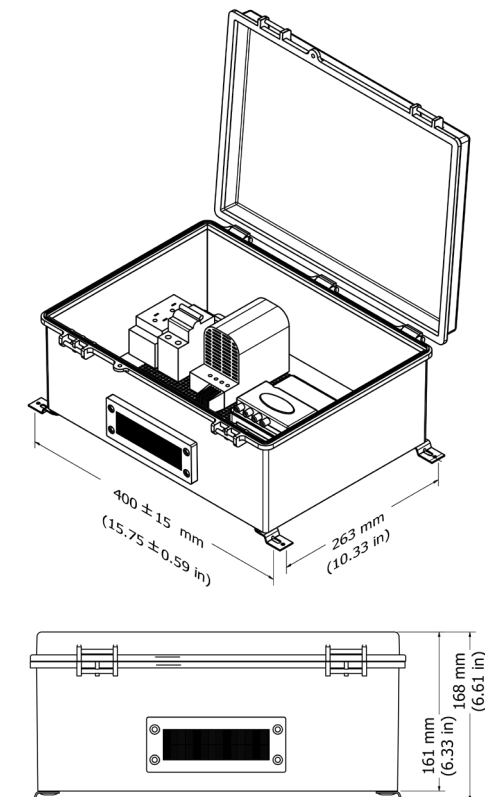
Mounting Aurora and NDBs

NDBs and PSUs are shipped already connected as shown. Mounting hole dimensions are shown for NDB, PSU, and Aurora outdoor enclosure.

40A PSU and NDB Enclosure



Aurora SE Enclosure

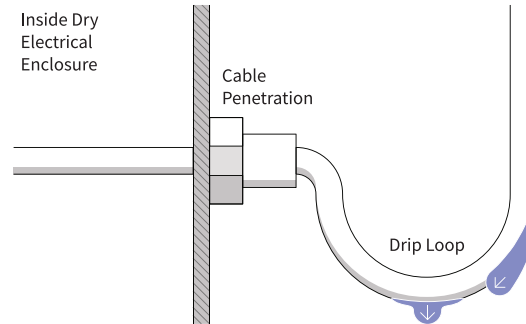


LED Strand Length Limitations

- Maximum strand length is 125 Lights or 125 ft, whichever comes first. This is 100 Lights or 100 ft for Mini-Triklights (G28 Triklit). Use power top-ups to go further.
- Maximum leader cable length is 15 ft. To go further, use 4-pin leader cables with send/receive pairs.

Outdoor Installation

- Enclosures **MUST** be installed on a vertical surface with their openings facing down to keep water from entering and pooling inside.
- Use a drip loop to keep water from following wires into the enclosures.



Go to www.support.limbicmedia.ca to find

- FAQs
- User manuals
- Software Updates
- Video Tutorials
- Support Team Contact Information

Refer to the Aurora User Manual and Aurora App Manual for additional information.

Aurora comes with 3 hours of FREE support.
Don't hesitate to contact us if you have any issues.
support@limbicmedia.ca (778) 430-5123